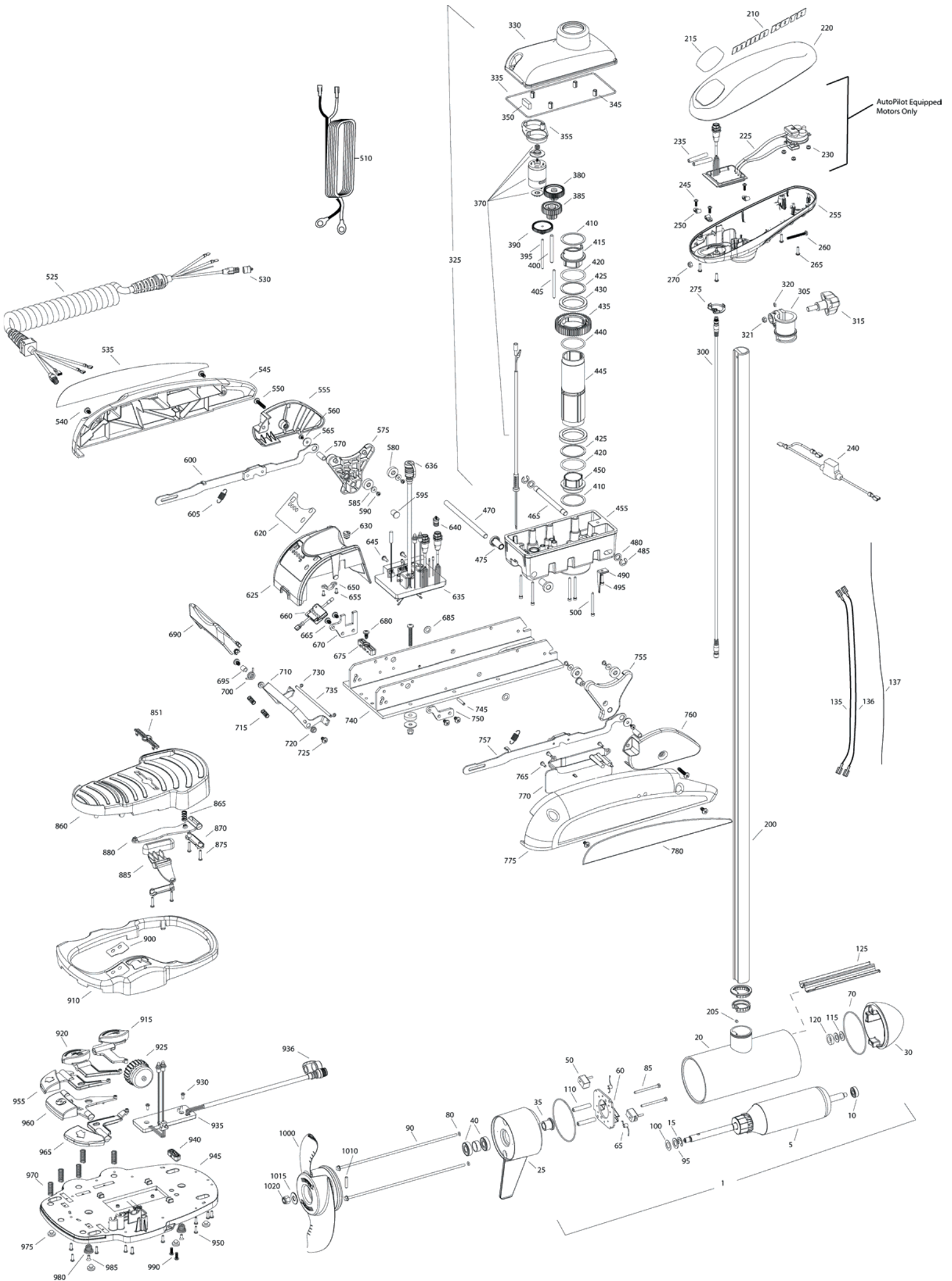


TERROVA 101
101 LBS THRUST
36 VOLT 46 AMPS
54" OR 60" SHAFT

for use with "K" serial numbers
2-year warranty from the date of purchase



Item	P/N	Description	Qty	Item	P/N	Description	Qty	Item	P/N	Description	Qty	Item	P/N	Description	Qty
1	2777052	36V Motor 60" FW	1	320	2321706	Washer (included in #305)	1	■	2770250	Cover, speed control with decal	1	950	2301310	Screw, #8 x .5	10
	2777051	36V Motor 54" FW	1	321	2323102	Nut (included in #305)	1	620	2325650	Decal, speed control	1	955	2323700	Button, steer, left	1
	2777054	36V Motor US2 60"	1	325	2997025	Steering housing	1	625	2320210	Cover, speed control	1	960	2323705	Button, momentary	1
	2777053	36V Motor US2 54"	1	330	2326501	Steering housing top	1	630	2322901	Strain relief	1	965	2323701	Button, steer, right	1
5	2-100-216	Armature assembly	1	335	2324604	O-ring, case seal	1	635	2324012	Control board, 24-36v	1	970	2322704	Spring, foot pedal	5
10	140-010	Bearing	1	345	2302605	Roll pin 5/16	4	■	2884050	Switch-reed repair kit		975	2994859	Bumper, bag assy	1
15	788-040	Retaining ring	1	350	2308601	Breather, filter	1	636	2320208	Dust plug	1	980	2322706	Spring, barrel	2
20		Included in #200 assembly		355	2328610	Cradle, motor	1	640	2320203	Cap, dust, control board	1	985	2323420	Screw, 8-18 x .375	2
25	2-300-170	Brush end housing assembly	1	370	2777025	Motor, steering assembly	1	645	2323406	Screw, 10-24 x	2	990	2372100	Screw, 8-18 x .625	2
30	421-276	Plain end housing assembly STD	1	380	2302255	Gear, cluster 3rd stage	1	650	2321315	Holder, connector	1				
	9421-286	Plain end housing US2 60"	1	385	2302250	Gear, cluster 2nd stage	1	655	2332103	Screw, 6-20 x .375	2	■	1378132	Propeller kit WW2	
	9421-285	Plain end housing US2 54"	1	390	2302245	Gear, cluster 1st stage	1	660	2074072	Battery meter, 36v	1	■	2994876	Propeller bag assy	
35	144-017	Flange bearing	1	395	2302610	Shaft, gear 1st stage	1	665	2323402	Screw, 1/4-20 x .375	4	1000	2331160	Propeller WW2	1
40	880-025	Seal	2	400	2302620	Shaft, gear 3rd stage	1	670	2321940	Bracket, strain relief	1	1010	2262658	Drive pin, large	1
50	188-094	Brush	2	405	2302615	Shaft, gear 2nd stage	1	675	2321310	Strain relief, wire	1	1015	2091701	Washer, prop, large	1
60	2-600-199	Brush plate assembly	1	410	2321704	Washer, thrust	2	680	2323405	Screw, 1/4-20 x .5	1	1020	2093101	Nut, nylock, prop, large	1
65	975-041	Brush spring	2	415	2321515	Liner, output tube	1	685	2013100	Speed nut, .375	2				
70	701-043	O-ring, motor	2	420	2324608	O-ring, 224	2	690	2320215	Handle, release cover	1	■	2994864	Mounting hardware bag assy	
80	701-009	O-ring, thru-bolt	2	425	2321720	Shim, O-ring	2	695	2301700	Bushing,	1				
85	830-027	Screw, 10-32 x 2	2	430	2327308	Bearing, ball sealed	2	700	2322701	Spring, release handle	1	■	2889460	Seal & Oring Kit	
90	830-096	Thru-bolt	2	435	2322200	Gear, output	1	710	2320400	Handle, release FW	1				
	830-098	Thru-bolt, Sonar only	2	440	2324601	O-ring, output gear	1	715	2322712	Spring, release handle	2				
95	990-051	Washer, steel	2	445	2322030	Tube, output machined	1	720	2322604	Bushing, handle	2				
100	990-052	Washer, nylatron	2	450	2321510	Collar, drive, bottom	1	725	2332104	Screw, 1/4-20 x .625	2				
110	973-025	Spacer, brush plate	2	455	2326506	Steering housing, Bottom	1	730	2323000	E-clip, 3/16, SS	2				
115	992-010	Washer, Belleville	2	465	2322600	Pin, latch, zp	1	735	2322606	Pin, follower, handle	1				
120	990-045	Spacer, thrust	1	470	2322602	Pin, pivot, zp	1	740	2321901	Base extrusion, machined	1				
125	582-014	Clip, retaining, long	1	475	2327310	Bushing, pivot pin	2	745	2322912	Spring pin,	2				
135	640-025	Leadwire, black	1	480	2321702	Washer, flat .375	2	750	2321950	Bracket, sideplate	1				
136	640-133	Leadwire, red	1	485	2263011	E-ring .375	2	755	2323900	Ramp, 4" right	1				
137	640-317	Groundwire, brown, US2 only	1	490	2322702	Spring, latch pin	2	757	2994204	Arm, release, Right	1				
200	2777115	Tube, composite 60" FW	1	495	2323410	Screw, 8-32 x .75	1	760	2321920	Skid, right	1				
205		Included in #200 assembly		500	2323408	Screw, 8-32 x 2	7	765	2301310	Screw, 8-18 x .5	3				
210	2325665	Decal, cover	2	510	2090651	Leawire, 10 ga	1	770	2320220	Cover, access, FW	1				
215	2325678	Decal, ctrl box 101	1	525	2991273	Coil cord, 45"	1	775	2321910	Sideplate, right	1				
	2325679	Decal, ctrl box 101 US2	1		2991271	Coil cord, 54"	1	780	2325640	Decal, sideplate, right	1				
	2325680	Decal, ctrl box 101 Autopilot	1		2991274	Coil cord, US2, 45"	1	850	2994720	Foot pedal	1				
	2325681	Decal, ctrl box 101 Autopilot & US2	1		2991272	Coil cord, US2, 54"	1	851	2326710	Plug, foot pedal	1				
220	2320200	Cover, ctrl box	1	530	2320202	Cap, dust, coil cord, non-AP only	1	860	2324400	Pedal, heel-toe	1				
225	2324030	Ctrl board, compass, Autpilot only	1	535	2325641	Decal, sideplate, left	1	865	2322714	Spring, momentary	1				
230	2302960	Grommet, compass, Autopilot only	3	540	2323404	Screw, 1/4-20	4	870	2321300	Clamp	2				
235	2065400	Wire insulator	2	545	2321915	Sideplate, left	1	875	2223430	Screw, 8 x .75	4				
240	2218200	Fuse holder, US2 only	1	550	2323403	Screw, 1/4-20 x .375	2	880	2328600	Flex finger	1				
245	2372100	Screw, 8-18 x .625	3	555	2321925	Skid, left	1	885	2323710	Button, momentary, left	1				
250	2052510	Cable clamp	3	560	2323422	Screw, 10-24 x .375	2	900	2325660	Decal, foot pedal	1				
255	2322500	Ctrl box	1	565	2321700	Washer, #10 SS	2	910	2320205	Cover, heel-toe	1				
260	2332102	Screw, 10-24	1	570	2323500	Bolt, shoulder	2	915	2323725	Button, AP	1				
265	2372100	Screw, 8-18 x .625	4	575	2323905	Ramp, 4" left	1	920	2323715	Button, Mom/Con	1				
270	2333101	Nut, 10-24	1	580	2325115	Pad, rubber rest	4	925	2320100	Knob, speed, foot pedal	1				
275	2224700	Plug, ctrl box, US2 motors only	1	585	2321706	Washer, #8	4	930	2332103	Screw, 6-20 x .375	2				
	2224702	Plug, ctrl box	1	590	2323412	Screw, 8-18 x .25	4	935	2324020	Control board, foot pedal	1				
300	2211415	Universal sonar 2 extension cable	1	595	2324705	Insert, ramp	2	936	2320207	Dust cap	1				
305	2771500	Depth collar assembly	1	600	2994202	Arm, release, left	1	940	2322900	Strain relief, foot pedal	1				
315	2260906	Knob (included in #305)	1	605	2322710	Spring, extension	2	945	2324500	Base plate, foot pedal	1				

* This item is part of an assembly. This item cannot be sold separately due to machining and/or assembly that is required.

P/N 2324932

REV. T ECN 31552

8-09

Terrova 101 is 36-volt only!

